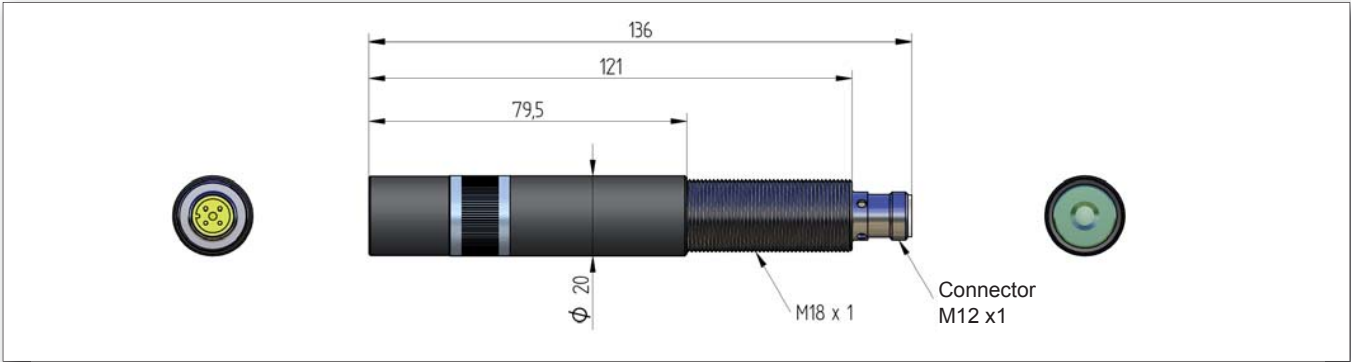


ZM-18-green

Industry / Craft

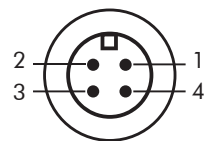


Brand new product for a variety of applications



- ### Features
- 5-30VDC operation with reverse polarity protection
 - Highly visible green light with a 4mW output
 - IP67 rated, fully waterproof
 - Simple, external hand focusing mechanism
 - Thread mounted for simple and versatile mounting
 - LED laser operation indicator
 - Gaussian, uniform and DOE optics available
 - M12 connector guarantees an ideal electrical connection
 - Electrically isolated housing

- ### Applications
- Positioning
 - Wood processing
 - Metal processing
 - Textile industry
 - Stone processing
 - Food industry
 - Medical science
 - Automotive industry



1: voltage supply +
2: -
3: voltage supply -
4: -

Some available Optics

Line 	Cross 	Parallel lines 	Dotted line
Dot matrix 	Square 	Circle 	10 Circles

Mounting and power supply

H8-M18

WNG-9E-24

Specifications

Optical

Optical stability	< +/- 2% at constant temperature
Range of focus	100mm up to ∞
Divergence of beam	≤ 1 mrad (with dot optic)
Direction failure of beam	+/- 10mrad
Pointing stability	< 50 μ rad / °C at constant temperature

Optics

Line (Gaussian profile)	60°, 90°, symmetrical or asymmetrical
Line (Non Gaussian profile)	10°, 20°, 30°, 45°, 60°, 90°
Point	elliptical or circular
DOE	see examples on front side

Wavelength and power

532nm	1-4mW
-------	-------

Electrical

Supply voltage	5-30VDC
Mode of operation	APC with current limiting or CC
Modulation	continuous wave
Protection	reverse polarity and transient/ESD
Connection	M12 plug, 4-pin

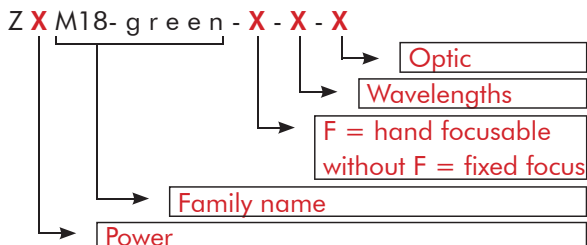
Mechanical

Dimensions	136mm x \varnothing 20mm
Housing	Laser: M18 industry housing, chromed brass Optic head: anodised aluminium
Protection category	IP 67
Weight	ca. 87g
Electrical isolation	potential free housing

Environmental conditions

Case temperature (with Z-LASER mounting)	0°C up to +35°C (with mounting H8-M18)
Storage temperature	-10°C up to +80°C
Humidity	Max. 90%, non condensing
MTTF at 25°C	> 10.000h

Order code:



2871 Northridge Dr. NW • Grand Rapids, MI 49544

Phone: 888.622.7837

Fax: 616.647.3387

www.carterproducts.com